



भारतीय प्रौद्योगिकी संस्थान इन्दौर

सिमरोल, खण्डवा रोड, इन्दौर, भारत पिन - 453 552

Indian Institute of Technology Indore

Simrol, Khandwa Road, Indore, India Pin - 453 552

IIT Indore

NIT No.: IITI(MM)/WC/4/4B/0392/PKN/2017-2018

March 08, 2018

Pre-bid Report

Pre-bid queries and Responses for "IITI(MM/ WC/4/4B/0392/PKN/2017-2018"
dated 30/11/2017 for "Supply of "Street Light Pole and LED Street Light"

The meeting for Pre-bid discussion and presentation was held at IIT-Indore on 13/12/2017 at 11.00 AM. The report of the meeting is as below. All prospective/willing bidders are requested to **take note of this report as part of the Tender document.**

Sl. No.	Reference of the Tender Doc.	Query raised by	Query/Clarification/Deviation sought	Clarification/ Response from IITI	Remarks
1.	Technical Specification	M/s. Indian Tapex Company Authorized dealer of M/s. Goldwyn Ltd.	Annexure C Technical Specification Regarding insertion of make	Clarification of Technical specification and drawing attached.	Updated

Revised Schedule:

Last date of bid submission: 23th March , 2018(FRIDAY) upto 03.00pm(IST)

Opening of Technical bids: 23th March , 2018(FRIDAY) upto 03.30pm(IST)

All prospective/willing bidders are requested to **take note of this report as part of the Tender document.** All other parts of the tender including the terms and conditions of the will remain **Unchanged.**


08/3/18
Dy. Registrar (MM)
एस.पी.होता/S. P. HOTA
उप कुलसचिव/Deputy Registrar
आई.आई.टी., इन्दौर/IIT Indore



भारतीय प्रौद्योगिकी संस्थान इन्दौर
सिमरोल, खंडवा रोड, इन्दौर, भारत, पिन - 453 552

Indian Institute of Technology Indore
Simrol, Khandwa Road, Indore, India, PIN - 453 552

Ph. : 0731-2438949 / 958
Fax : 0731-2438966
Mail : mms@iiti.ac.in

IIT Indore

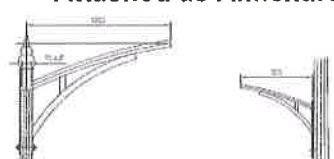
NIT No.: IITI(MM)/WE/4/4B/0392/PKN/2017-2018

December 13, 2017

Pre-bid Queries and Responses

Notice Inviting Tender for Street Light Pole

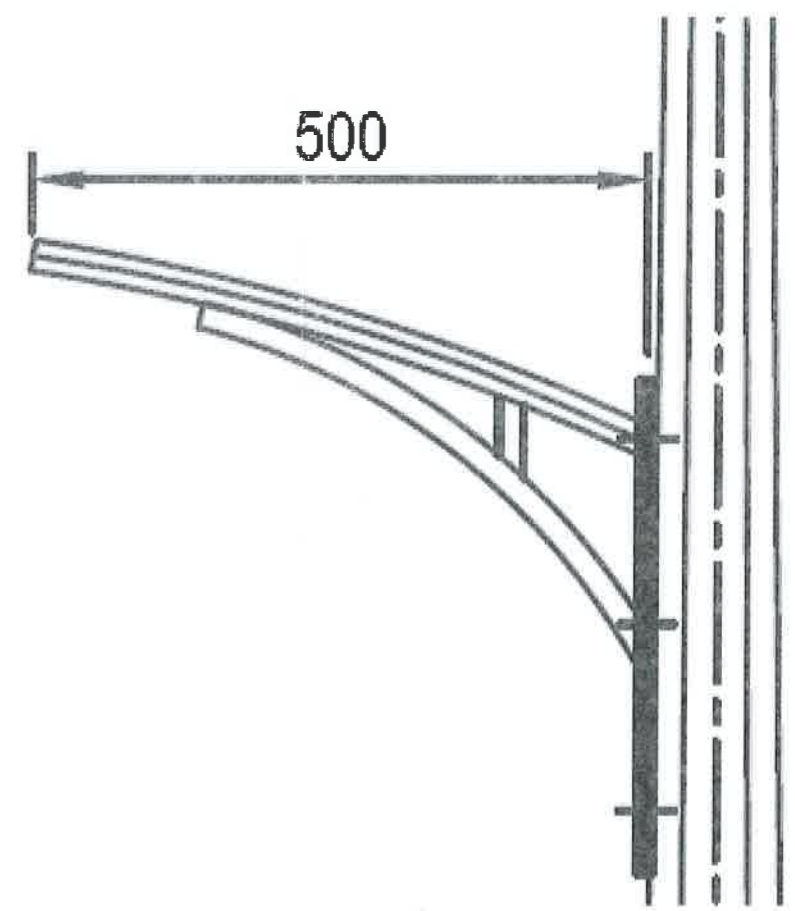
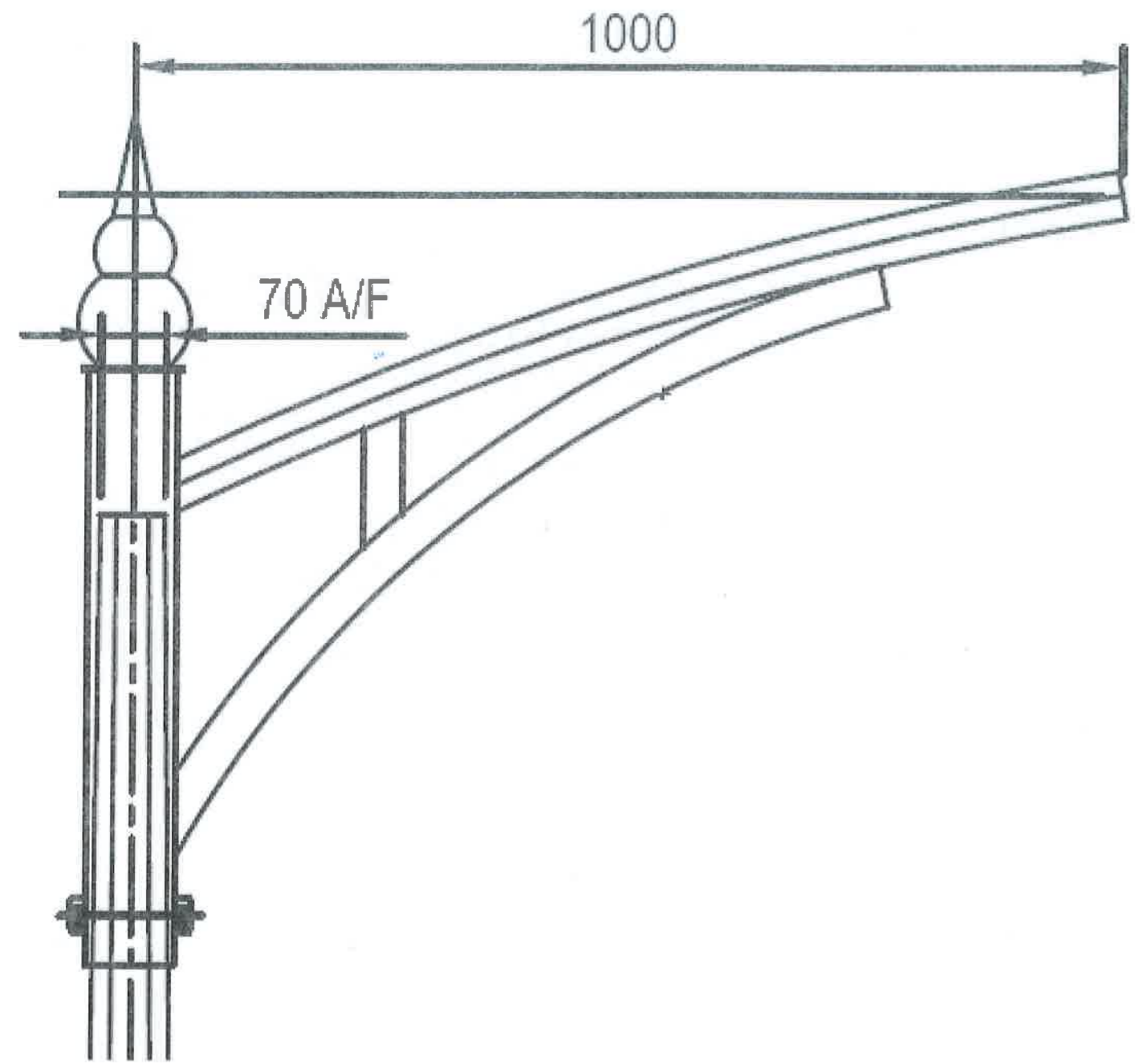
Pre-bid cum Presentation on: **13/12/2017 at 11.00 AM**

Sl. No.	Reference of the Tender Doc.	Query raised by	Query/Clarification/ Deviation sought	Clarification/ Response from IIT I	Remarks
		M/s. Indian Tapex Company Authorised dealer of M/s. Goldwyn Ltd.	Annexure C Regarding insertion of make	Sl. No. 3 Light Source: SMD LeD White (Make: Nichia/Osram/Cree/Philps Lumileds) with LM79, LM 80 & IS10322 report (supporting documents should be provided) Sl.No. 22 Approved Make: Bajaj/ Wipro/ Philips/ Crompton/ KLite/ Havells/ Equivalent	
Approved Samples of Decorative Arms:				Attached as Annexure 1 	
Successful contractor shall submit the detailed design & sample of the bracket for approval from Institute authority. However there can be some modifications in bracket design and accordingly the contractor shall make the changes without any additional cost.					

Handwritten signature
01/02/2018
Indentor

Handwritten signature
01/03/2018
Head of Department

Handwritten mark



Arayas